



memmert
Experts in Thermostatics

Waterbaths & Oilbaths

PRECISION AND SAFETY BROUGHT TO THE POINT.



WATERBATH W

OILBATH O

100% ATMOSAFE. MADE IN GERMANY.

www.memmert.com | www.atmosafe.net

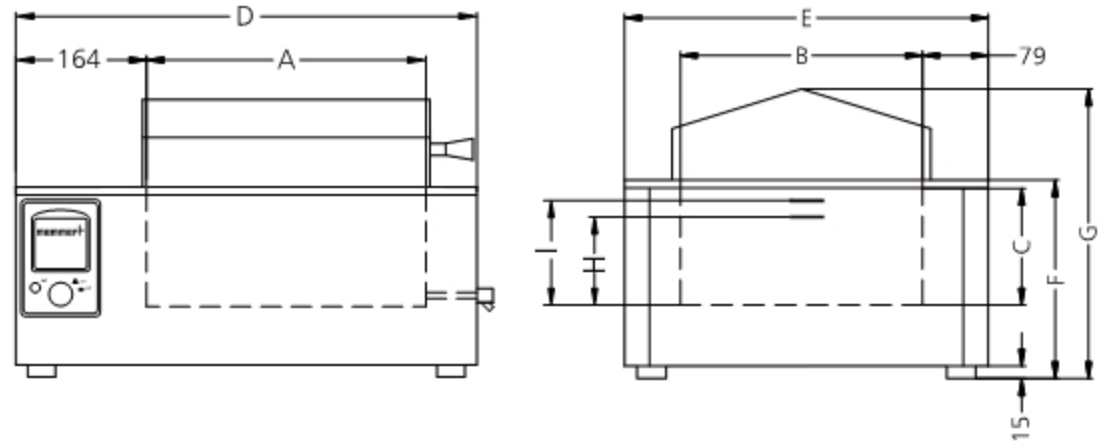
WATERBATHS WNB, WNE, WPE / OILBATHS ONE

according to DIN 12 876-3, EN 61010, EN 61010-1 (IEC 61010-1), 61010-2-010 Standard appliances are safety-approved and bear the test marks:



Standard equipment

- Container: deep-drawn, laser-welded stainless steel interior with integrated large-area heating system on three sides (no disturbing fittings)
- Housing: textured stainless steel
- Connection: mains cable with plug
- Installation: 4 feet



Model sizes/Description			7	10	14	22	29	45
Stainless steel container	Contents	approx. l	7	10	14	22	29	45
	Length (A)	mm	240	350	350	350	590	590
	Width (B)	mm	210	210	290	290	350	350
	Height (C)	mm	140	140	140	220	140	220
Textured stainless steel housing	Length (D)	mm	468	578	578	578	818	818
	Width (E)	mm	356	356	436	436	516	516
	Height (with flat cover) (F)	mm	238	238	238	296	238	296
	Height (with gable cover) (G)	mm	337	337	347	405	343	401
	Liquid level min. (H)	mm	97	97	97	177	105	177
	Liquid level max. (I)	mm	120	120	120	200	120	200
Further data	Electrical load W/O at 230 V, 50/60 Hz, WPE: 50 Hz	approx. W	1200	1200	1800	2000	2400	2800
	Working-temperature range W	°C	at least 5 (WNB/WNE) 15 (WPE) above ambient temperature up to +95 and additional boiling stage (WPE only with pump switched off)					
	Setting temperature range W	°C	+10 to +95 and boiling stage					
	Working-temperature range O	°C	at least 5 above ambient temperature up to +200					
	Setting temperature range O	°C	+20 to +200					
	Temperature variation W	K	+/- 0.1					
	Temperature variation O	K	+/- 0.3					
	Temperature distribution W	K	+/- 0.25					
	Temperature distribution O	K	+/- 1					
Packing data	Net weight (with one cover option)	approx. kg	11	13	15	16	22	24
	Gross weight in Triwall carton	approx. kg	14	17	19	20	29	31
	Length	approx. cm	57	67	67	67	91	91
	Width	approx. cm	45	45	53	53	61	61
	Height	approx. cm	42	38	40	46	40	46

Order No. Waterbaths

- WNB = Waterbath, Natural Circulation, temperature controller BASIC
- WNE = Waterbath, Natural Circulation, temperature controller EXCELLENT
- WPE = Waterbath, Pump Circulation, temperature controller EXCELLENT

WNB7	WNB10	WNB14	WNB22	WNB29	WNB45
WNE7	WNE10	WNE14	WNE22	WNE29	WNE45
					WPE45

Order No. Oilbaths

- ONE = Oilbath, Natural Circulation, temperature controller EXCELLENT

ONE7	ONE10	ONE14	ONE22	ONE29	ONE45
------	-------	-------	-------	-------	-------